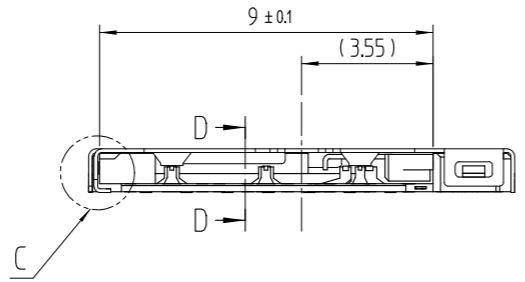
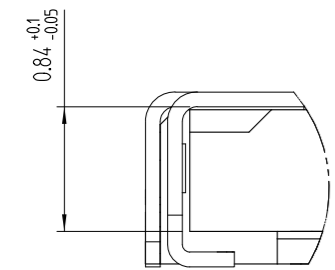
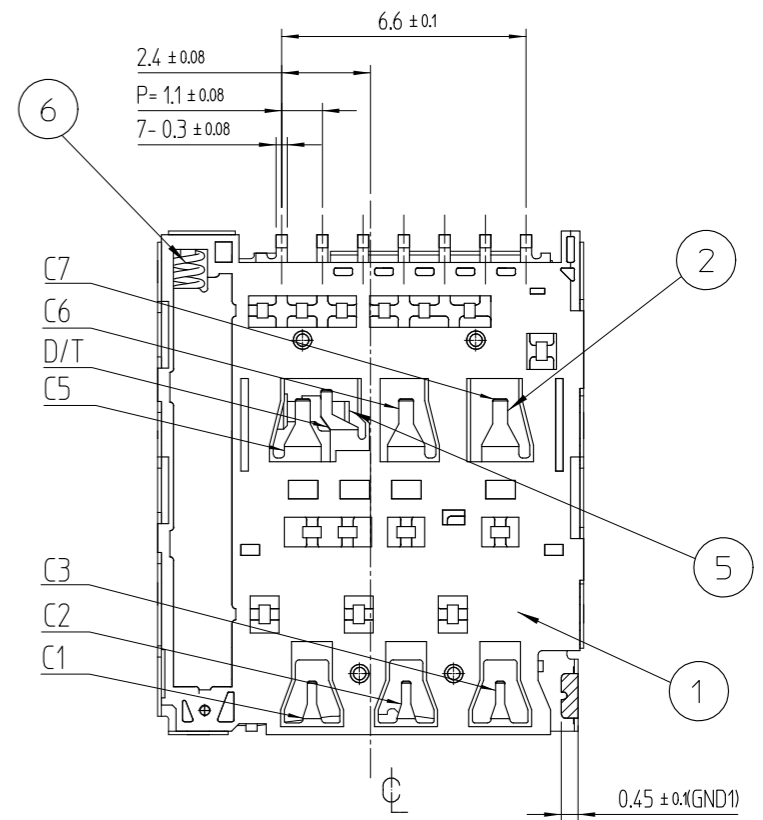
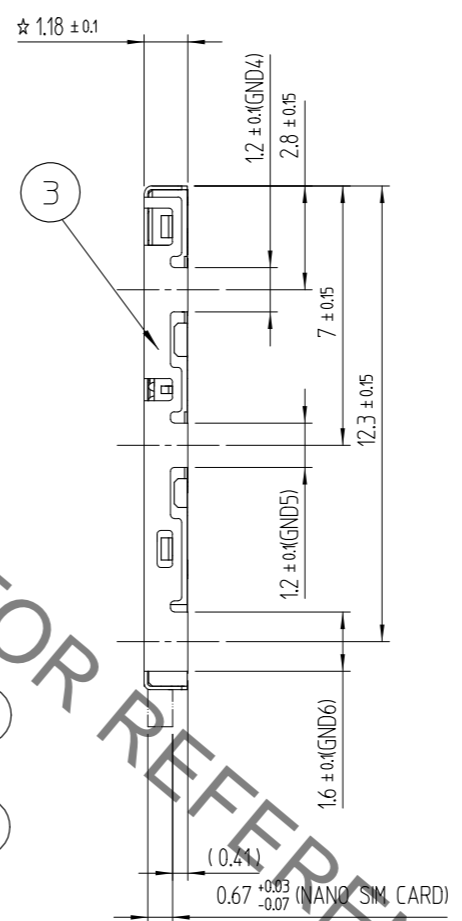
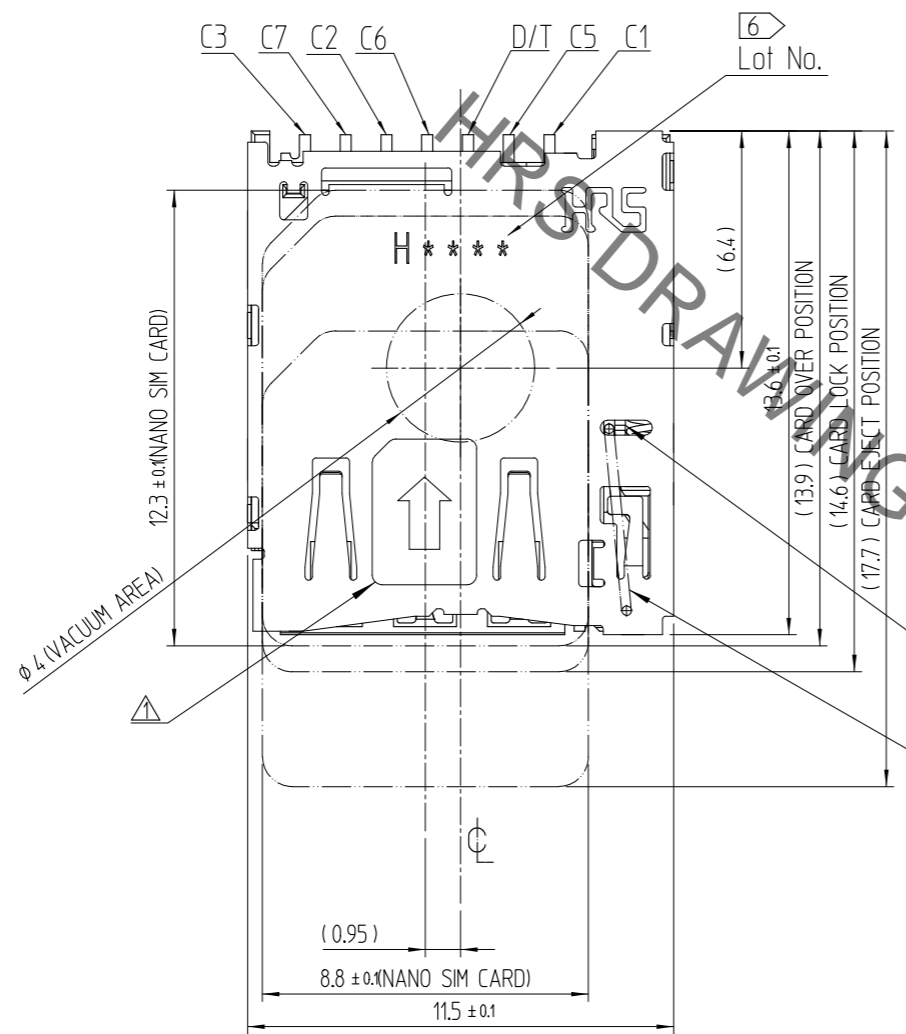
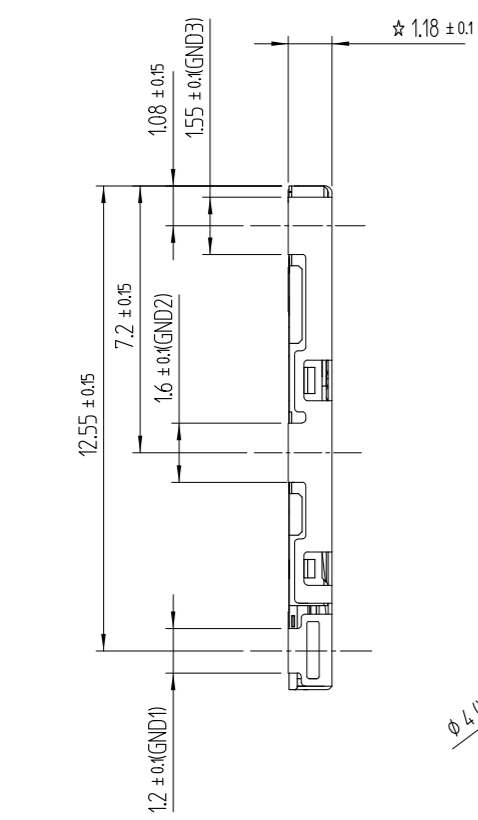


Aug.1.2021 Copyright 2021 HIROSE ELECTRIC CO., LTD. All Rights Reserved.
In case of consideration for using Automotive equipment / device which demand high reliability, kindly contact our sales window correspondents.

REFERENCE DRAWING

△數 COUNT	訂正事項 DISCRPTION OF REVISIONS	擔當 B Y	檢圖 CHKD	年月日 DATE	△數 COUNT	訂正事項 DISCRPTION OF REVISIONS	擔當 B Y	檢圖 CHKD	年月日 DATE
2	RE-5-1869	Y.K.G	A.B.H	18. 01. 15					
1	RE-5-2337	K.C.J	A.B.H	19. 12. 26					



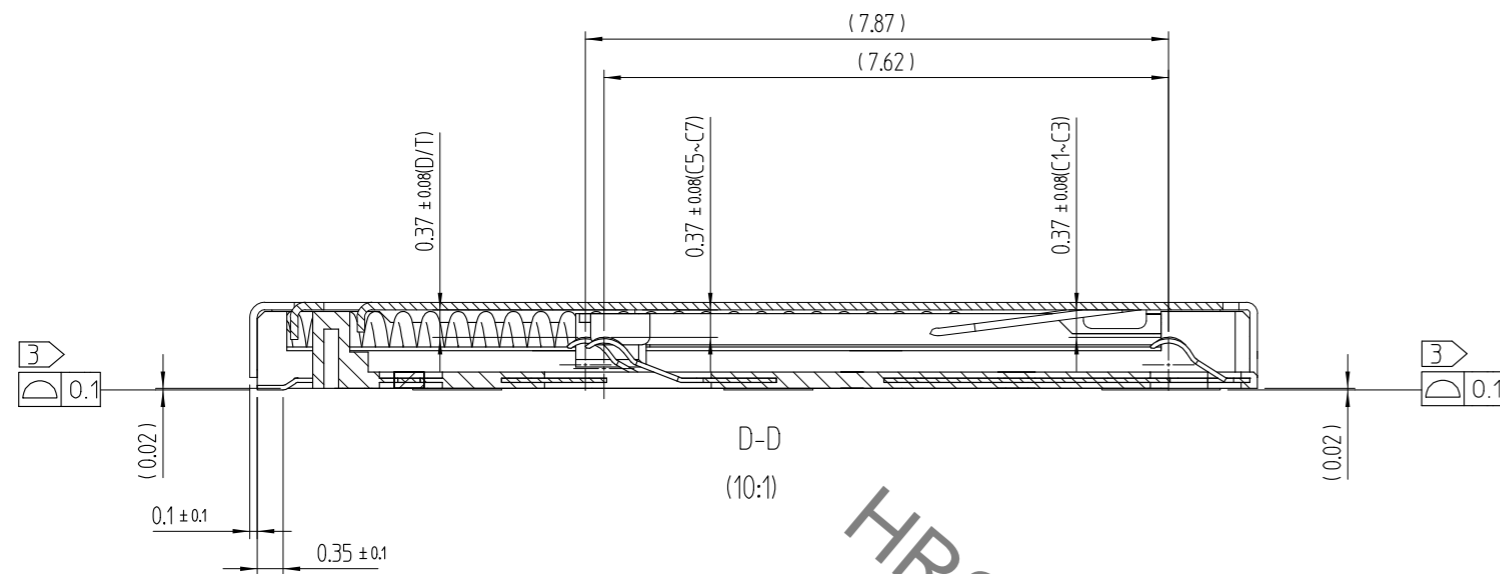
3	COVER	STAINLESS STEEL	MOUNTING: NIP + AuP	7	PIN	STAINLESS STEEL	-
2	SH-CONTACT	COPPER ALLOY	CONTACT: NIP + Pd-Ni + AuP MOUNTING: NIP + AuP	6	SPRING	STAINLESS STEEL	-
1	Ins.Base	LCP	BLACK / UL94-V0	5	EJECTOR PLATE	STAINLESS STEEL	-
				4	EJECTOR MOLD	LCP	BLACK / UL94-V0

NO.	PART	MATERIAL	FINISH,REMARKS	NO.	PART	MATERIAL	FINISH,REMARKS
CODE NO. (OLD)				DRAWN			
TITLE				DESIGNED			
PUSH-PUSH SINGLE CARD SOCKET				CHECKED			
				APPROVED			
				RELEASED			

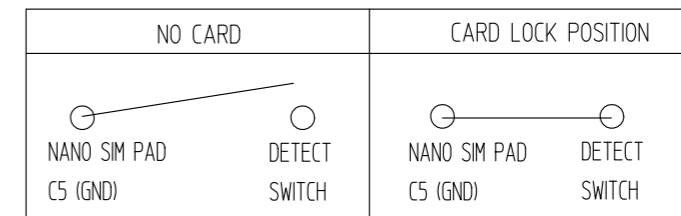
 SCALE 5:1 UNITS mm	DRAWING NO. EDC3-631768 HRS HIROSE KOREA CO.,LTD.	PART NO. KP13B-SF-PEJ(800)	CODE NO. CL 6530-0002-9-800	1 3
---------------------------------	--	-------------------------------	--------------------------------	--------

ENG
20.02.27
DEPT

Aug.1.2021 Copyright 2021 HIROSE ELECTRIC CO., LTD. All Rights Reserved.
In case of consideration for using Automotive equipment / device which demand high reliability, kindly contact our sales window correspondents.



NOTE 1. ☆ MARK IS C.T.Q (CRITICAL TO QUALITY) POINT
2. CARD DETECTION SWITCH

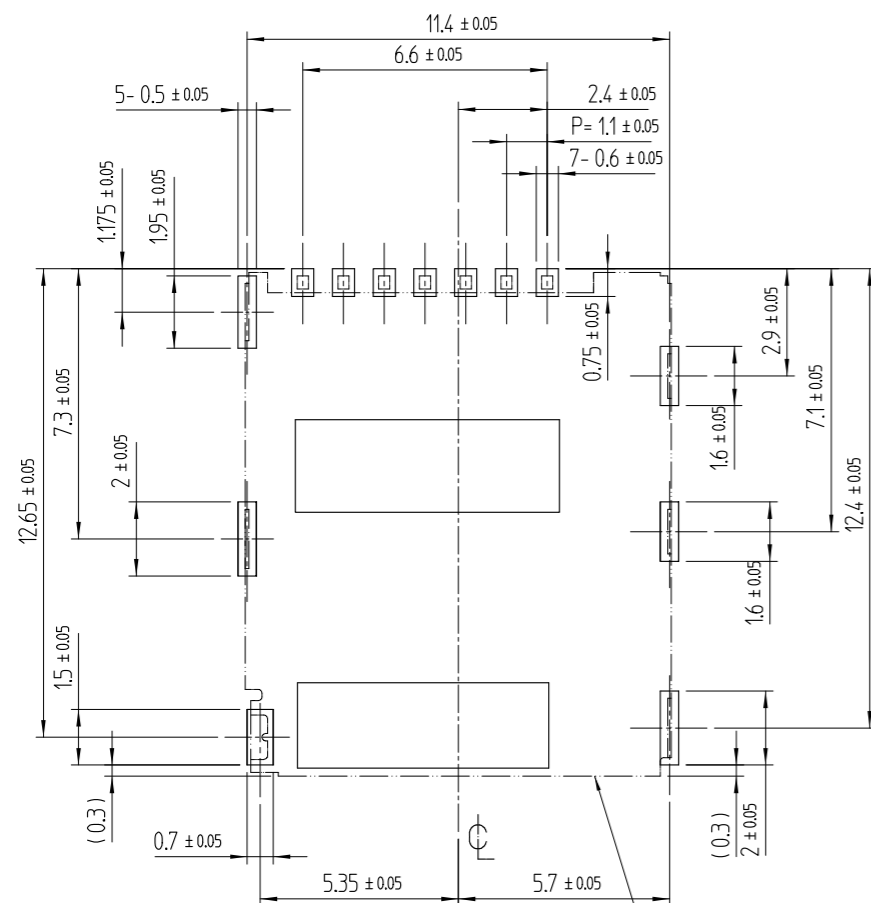


△3 CO-PLANARITY SHALL BE 0.1mm MAX

4 NO PATTERNS PERMITTED IN THIS OBLIQUE - HATCHED AREA

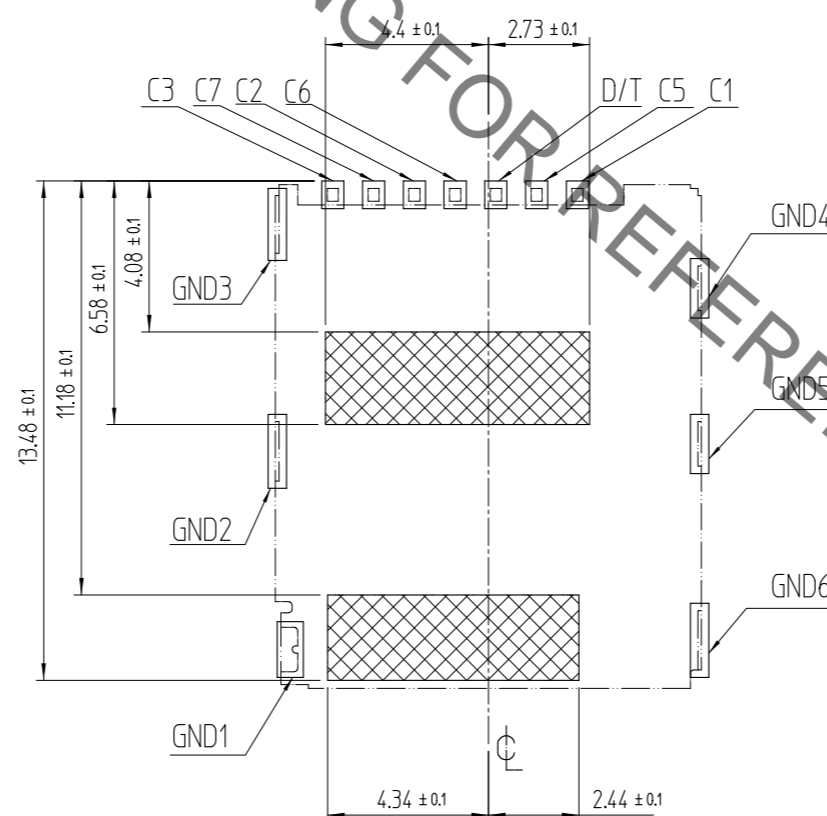
RECOMMENED P.C.B PATTERN LAYOUT (TOLERANCE : ± 0.05)

RECOMMEND METAL MASK THICKNESS : 0.12mm



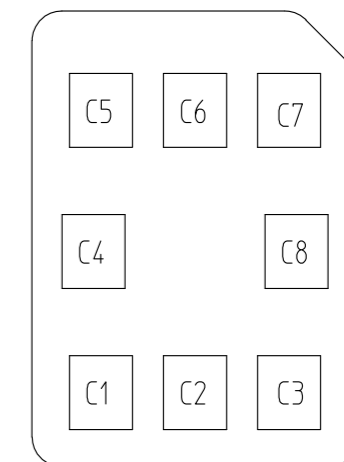
4 NO PATTERNS PERMITTED IN THIS OBLIQUE

TOLERANCE : ± 0.05



PIN No.	Name
C1	Vcc
C2	RST
C3	CLK
C4	Reserved
C5	GND
C6	Vpp
C7	I/O
C8	Reserved

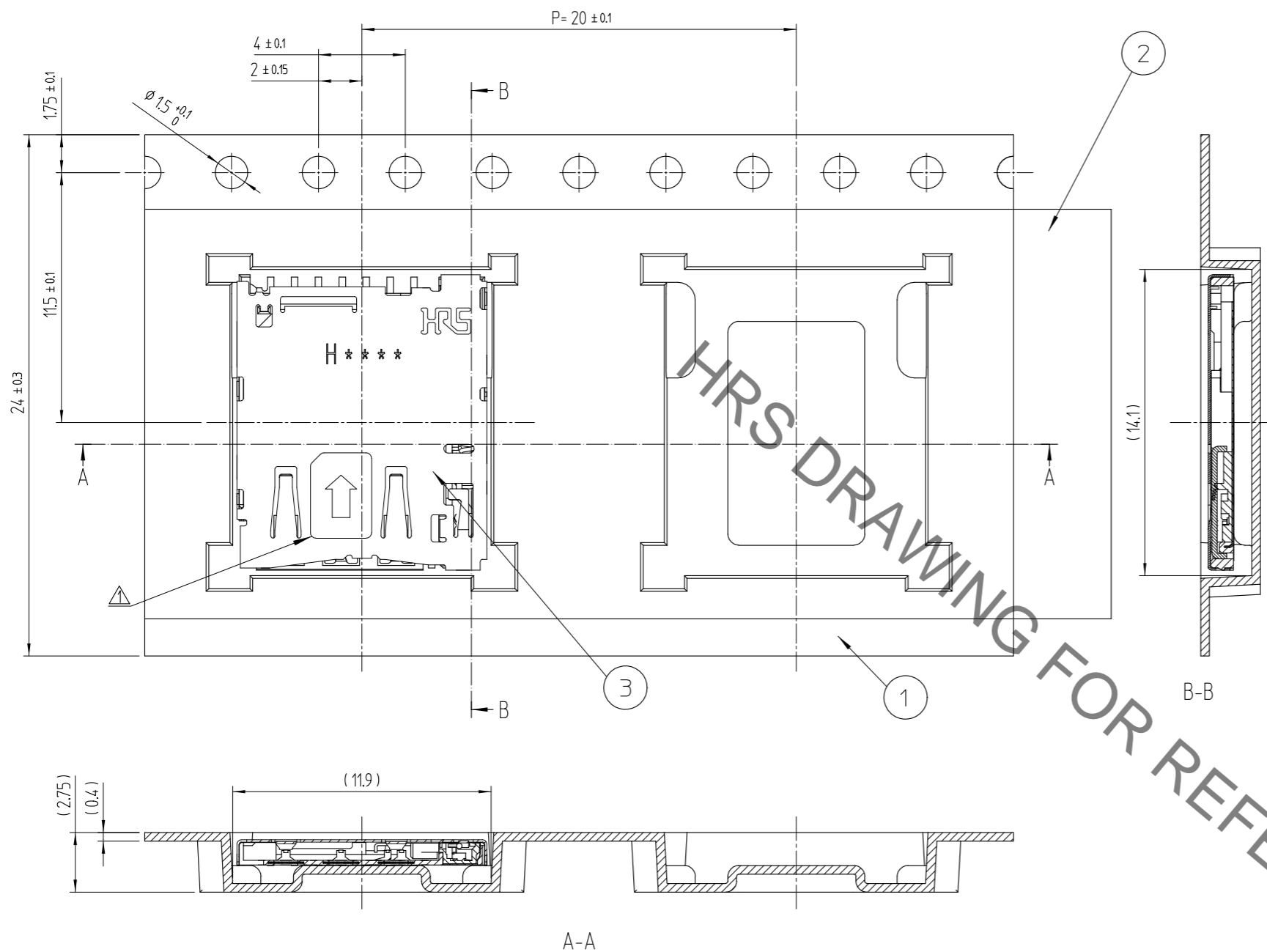
NANO SIM CARD ASSIGNMENT



NANO SIM CARD PAD LAY OUT

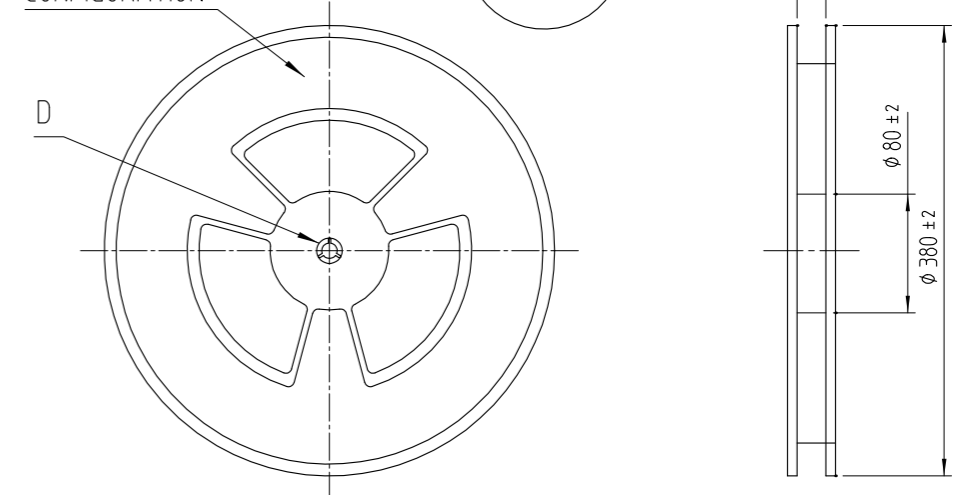
Aug.1.2021 Copyright 2021 HIROSE ELECTRIC CO., LTD. All Rights Reserved.
 In case of consideration for using Automotive equipment / device which demand high reliability, kindly contact our sales window correspondents.

5 DRAWING FOR PACKING



DETAIL OF REEL

REVISED CONFIGURATION

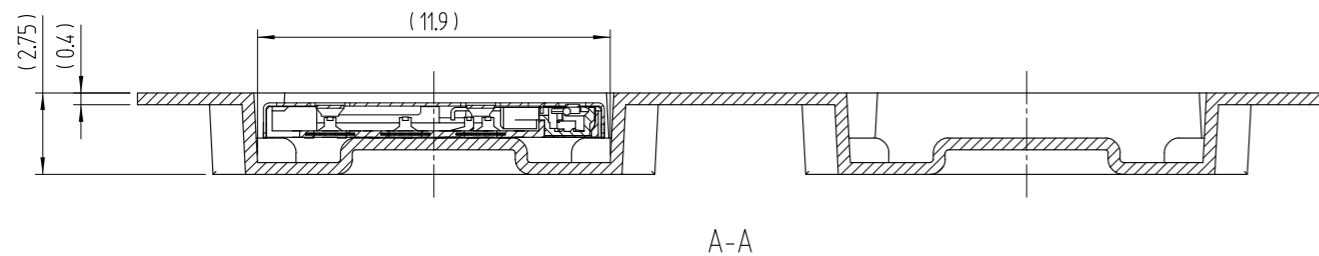


- 5 PACKING TYPE :TAPE AND 1,500PCS PER 1REEL .
- 6 MANUFACTURING DATE SYSTEM

H 6 1 26 1

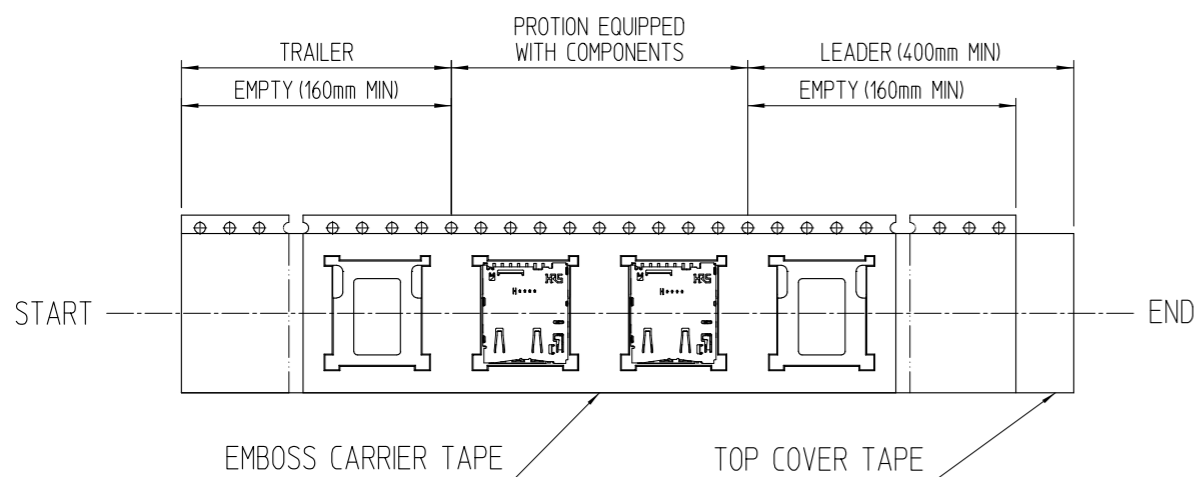
PRODUCTION LINE : LINE No.
 DATE : 26TH
 MONTH : JAN
 YEAR : 2016
 SUPPLIER : HIROSE KOREA

7 THE DIMENSIONS OF CUSTOMER DRAWING ARE INITIAL DIMENSIONS OF PRODUCT.
 NOT AFTER THE REFLOW.



6 TABLE.1

YEAR	MONTH		DATE							
YEAR	SYMBOL	MONTH	SYMBOL	DATE	SYMBOL	DATE	SYMBOL	DATE	SYMBOL	DATE
2016	6	Jan.	1	1	1	11	11	21	21	
2017	7	Feb.	2	2	2	12	12	22	22	
2018	8	Mar.	3	3	3	13	13	23	23	
2019	9	Apr.	4	4	4	14	14	24	24	
2020	0	May.	5	5	5	15	15	25	25	
2021	1	Jun.	6	6	6	16	16	26	26	
2022	2	Jul.	7	7	7	17	17	27	27	
2023	3	Aug.	8	8	8	18	18	28	28	
2024	4	Sep.	9	9	9	19	19	29	29	
2025	5	Oct.	A	10	10	20	20	30	30	
		Nov.	B					31	31	
		Dec.	C							



3	(CONNECTOR)	
2	TOP COVER TAPE	POLYESTER
1	EMBOSS CARRIER TAPE	PS
No.	PART	MATERIAL
HRS HIROSE KOREA CO.,LTD.		圖番 DRAWING NO. EDC3-631768